

KTSL6315





PRODUCT DESCRIPTION:

- ~KTSL6315, available from 30W-150W
- ~Excellent heat radiation, optical and electrical ability
- ~Die-cast aluminum body with pure polyester Electrostatic spray
- ~With 4mm super white toughened glass
- ~Silicon rubber seal ring
- ~Stainless screws
- ~Humanized design concept, easy to install and maintain
- ~lamps and lantern vertical installation and installed horizontally, adjustable angle
- ~IP66
- ~you can choose lens of type II or III, more than ten kinds lens.

SPECIFICATIONS:

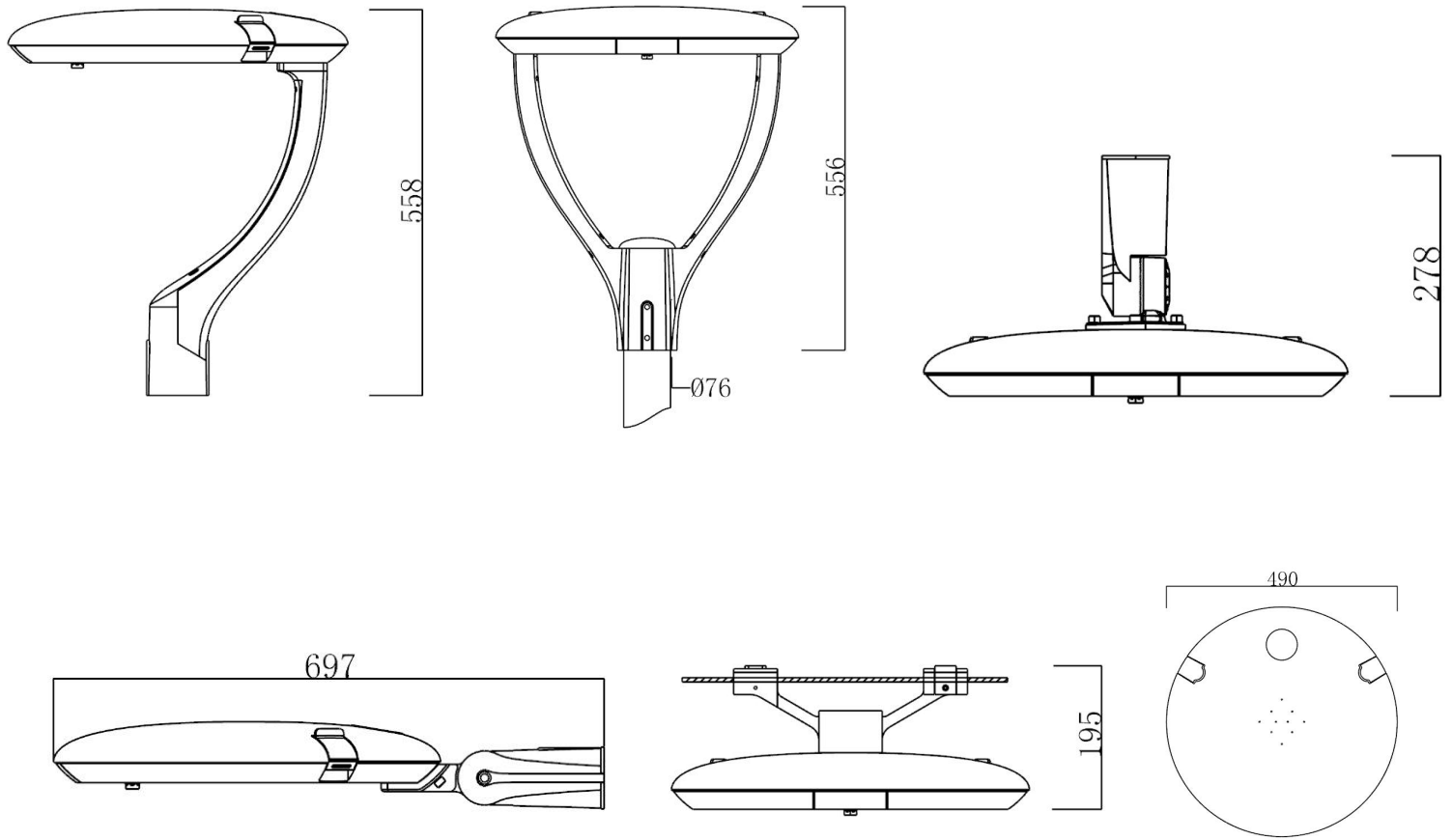
Model No	KTSL6315							
Power	30W	40W	50W	60W	80W	100W	120W	150W
Len chips Qty (3030)	48	48	72	72	108	108	144	144
Len chips Qty (5050)	16	16	24	24	36	36	48	48

Luminaire Flux (LM)	3960	4800	6750	7920	10400	12500	15000	18000
LED Chips	Philips Led (other brand of led upon request)							
Luminaire Efficacy	130-150 LM/W							
CCT	4000K (2700-6500K upon request)							
CRI	70 (80 upon request)							
Lifetime	108000H (at 25°C ambient temperature)							
Operating Temperature	-30°C-55°C							
Driver	Meanwell/Inventronics (other brand of driver upon request)							
Electrical	Class I or Class II Input voltage: 100-277VAC/50-60HZ; 108-305VAC/50-60HZ 10KV/20KV SPD Cut-off connector (Power automatically switch off when opening)							
Beam angle	TYPE II, TYPE III							
Dimming	DALI / 1-10V / PWM / FIVE LEVELS DIMMING /							
Options	Photocell / Surge protection device / External cable (different length upon request)							
Color	Grey / Black / White (other color upon request)							
Tightless Level	IP66							
Impact Resistance	IK08							
Standards & Certification	ISO 9001:2015 CE / CB / ENEC / IEC / LM79 / TM21 Pending							

UNIQUE FEATURES:



PRODUCT SIZE:



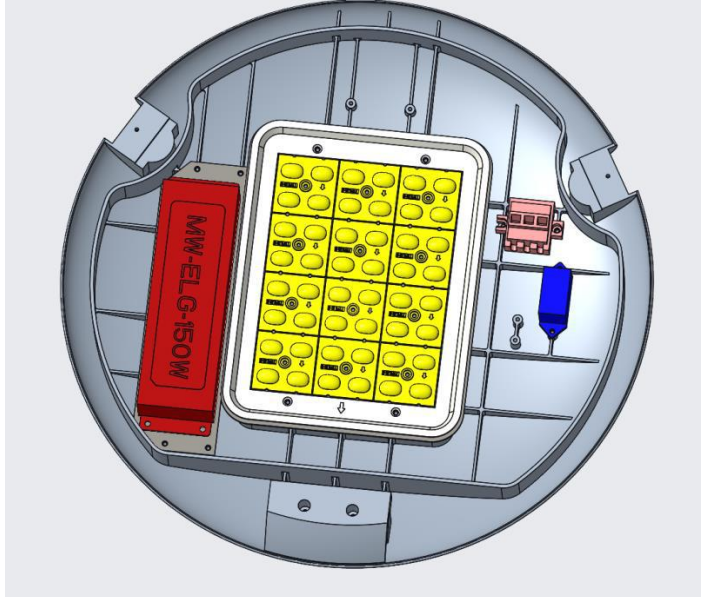
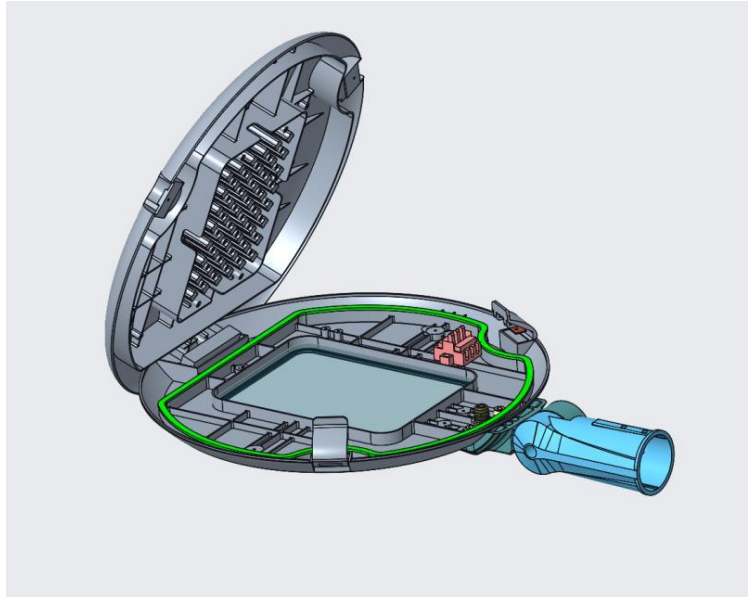
PRODUCT PHOTOS:















INSTALLATION:

The KTSL6315 can be post-top or side-entry mounted
One installation pipe diameter are available: Ø60mm.
Pls look at the follow pics to finish the installation